



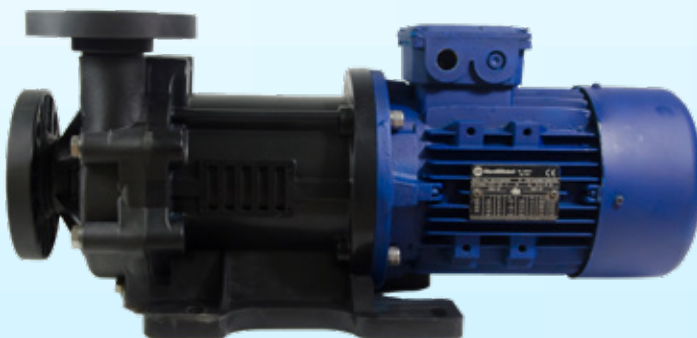
**CAVALLI**

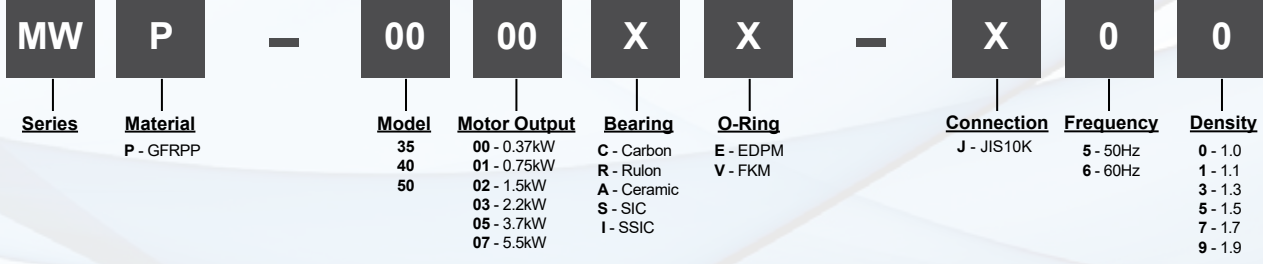
## **MWP SERIES**

### **MAGNETIC DRIVE PUMP**

#### **FEATURES**

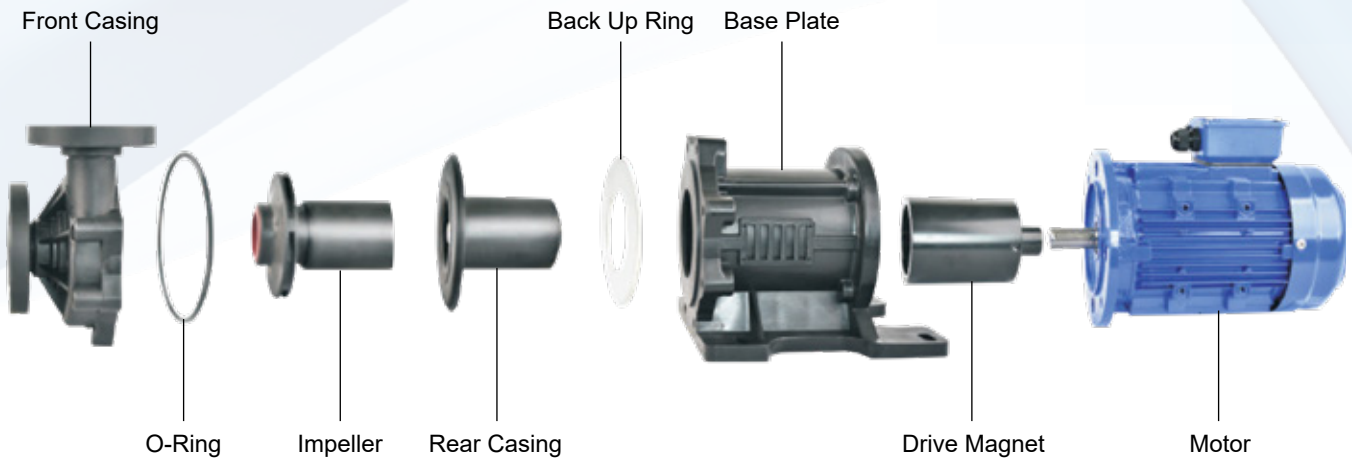
- Wetted material is glass fiber reinforced polypropylene (GFRPP)
- Flow rates up to 1000 L/min, discharge head of 37m
- Maximum temperature of 70°C
- Suitable for a wide range of chemicals
- Adaptable to IEC standard motor (0.37 kW to 5.5kW)
- Flange option available



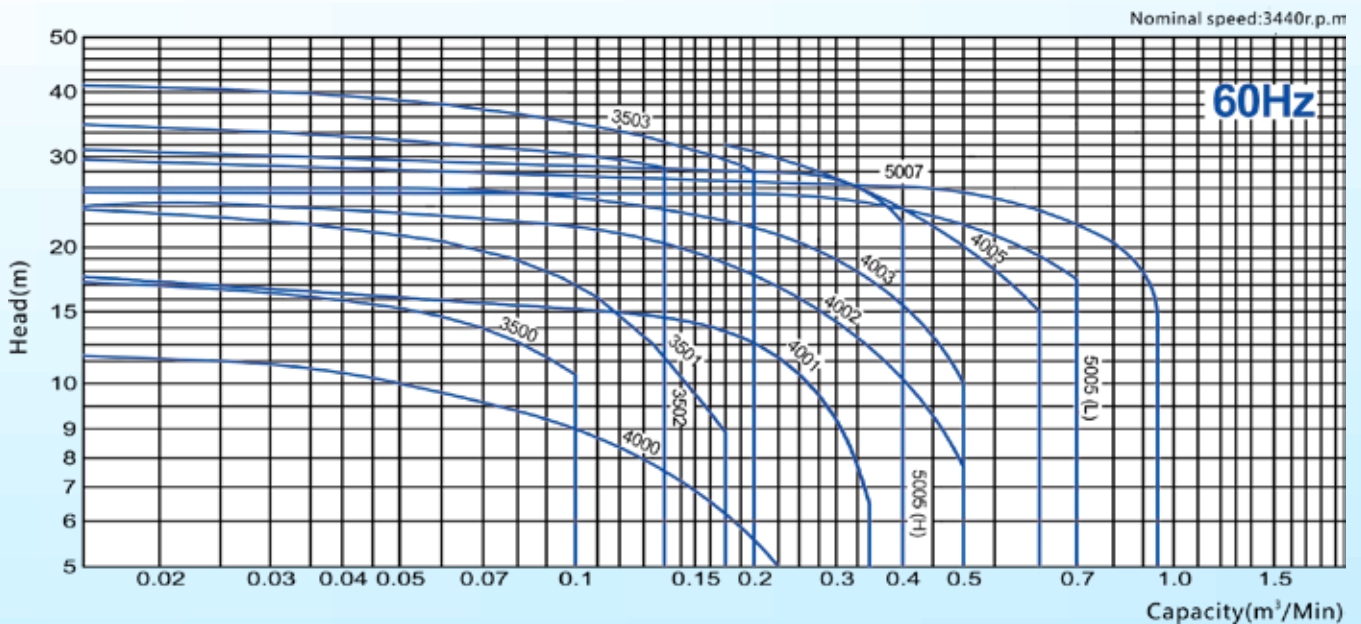
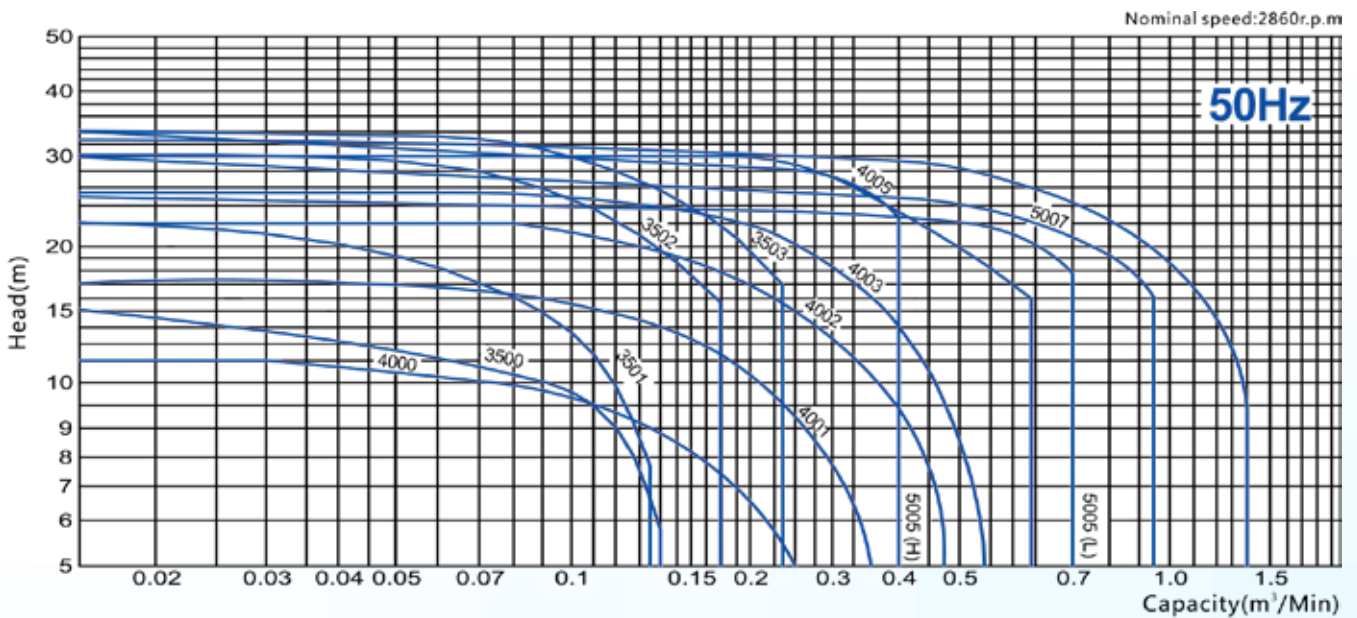


MODEL	FLANGE SIZE		PUMP PERFORMANCE AT SPECIFIC POINT (M-L/min)			MOTOR OUTPUT (kW)	WEIGHT (kg)
	OUTLET (mm)	INLET (mm)	SPECIFIC GRAVITY	50Hz	60Hz		
MWP-3500	25	25	1.0	11.0 - 80	13.0 - 80	0.37	16
			1.3	12.0 - 60	14.0 - 40		
			1.5	11.0 - 40	11.0 - 50		
MWP-3501	25	25	1.0	13.7 - 100	17.3 - 100	0.75	25
			1.3	14.5 - 80	17.0 - 80		
			1.5	12.4 - 80	14.5 - 70		
MWP-3502	32	32	1.0	23.0 - 180	29.0 - 140	1.5	37
			1.3	22.0 - 100	26.0 - 100		
			1.5	21.0 - 100	25.0 - 100		
MWP-3503	32	32	1.0	23.0 - 180	32.0 - 150	2.2	46
			1.3	24.0 - 150	31.0 - 120		
			1.5	22.0 - 150	29.0 - 120		
MWP-4000	40	40	1.1	8.3 - 165	6.7 - 160	0.37	21
			1.3	7.0 - 155	7.0 - 155		
			1.5	6.1 - 130	5.9 - 130		
MWP-4001	40	40	1.1	12.0 - 240	11.5 - 250	0.75	30
			1.3	9.8 - 185	9.2 - 200		
			1.5	9.1 - 165	7.5 - 200		
MWP-4002	40	50	1.1	14.0 - 320	14.0 - 300	1.5	45
			1.3	14.0 - 280	13.9 - 265		
			1.5	12.0 - 280	14.5 - 220		
MWP-4003	40	50	1.1	20.0 - 310	19.0 - 280	2.2	53
			1.3	16.0 - 340	17.0 - 280		
			1.5	15.5 - 340	14.7 - 340		
MWP-4005	40	50	1.1	23.0 - 390	24.0 - 420	3.7	64
			1.3	21.1 - 400	24.0 - 390		
			1.5	19.0 - 390	20.0 - 390		
MWP-5005 (L)*	50	65	1.0	22.0 - 500	22.0 - 500	3.7	72
			1.1	20.0 - 500	20.0 - 500		
			1.3	19.0 - 500	19.0 - 500		
			1.5	16.0 - 500	16.0 - 500		
MWP-5005 (H)*	50	65	1.0	25.0 - 350	28.0 - 350	3.7	72
			1.1	25.0 - 350	26.0 - 350		
			1.3	22.0 - 350	24.0 - 350		
			1.5	20.0 - 350	19.7 - 350		
MWP-5007	50	65	1.0	24.0 - 600	27.0 - 600	5.5	99
			1.1	22.0 - 600	24.0 - 600		
			1.3	19.0 - 600	21.0 - 600		
			1.5	19.0 - 600	19.0 - 600		

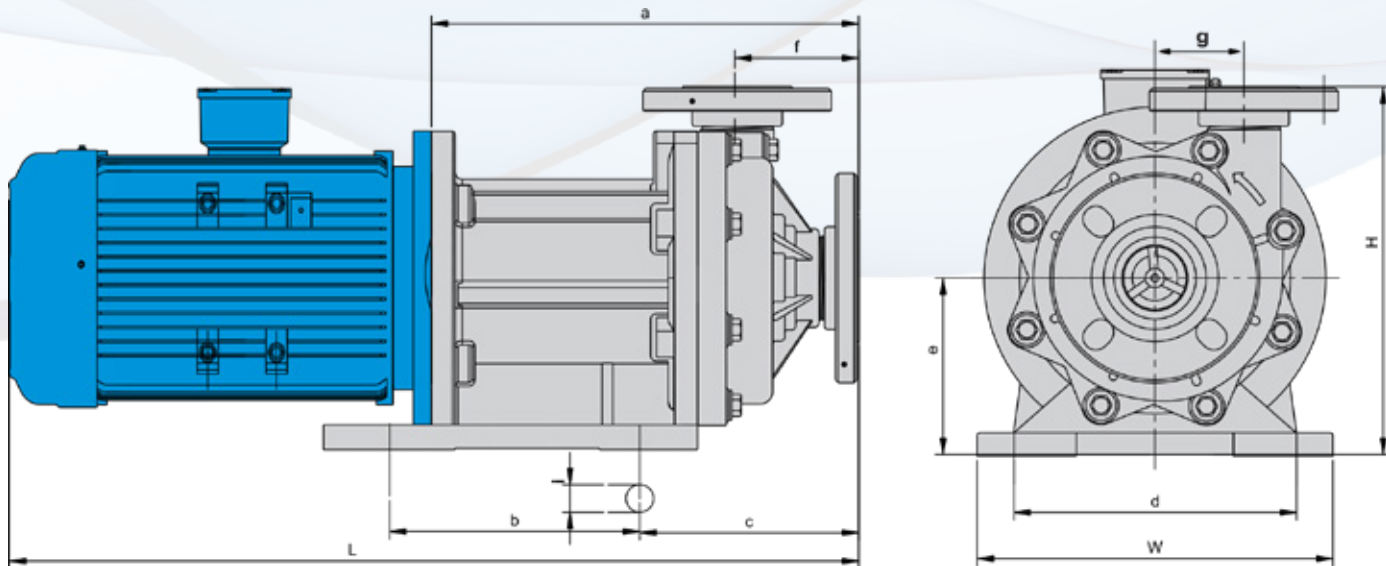
\* L = High Flow Rate; H = High Head



## PERFORMANCE CURVES



## INSTALLATION DIMENSIONS



Dimensions in mm

MODEL	W	H	L*	a	b	c	d	e	f	g	i
MWP-3500	157	257	472	232.5	130	161	130	115	88	77.5	12
MWP-3501	160	257	470	240	130	170	130	115	88	77.5	12
MWP-3502	160	242	505.5	222.5	132	155	130	120	78	57	12
MWP-3503	160	242	505.5	222.5	132	155	130	120	78	57	12
MWP-4000	140	216	473	233	98	150	110	95	87	51	12
MWP-4001	160	254	488	256	130	184	130	115	102.5	57.5	12
MWP-4002	260	255	620	305	200	158	208	115	89	65	14
MWP-4003	260	255	620	305	200	158	208	115	89	65	14
MWP-4005	260	270	688	326	200	158	208	130	89	65	14
MWP-5005	260	319	650.5	287.5	300	123.2	220	162	89.5	60	14
MWP-5007	260	319	676.5	311.5	300	123.2	220	162	89.5	60	14

### Remarks:

1. The size in the table is shown with JIS motor.
2. All sizes & constructions are subject to change without notice.
3. \* Depending on the type of motor used.